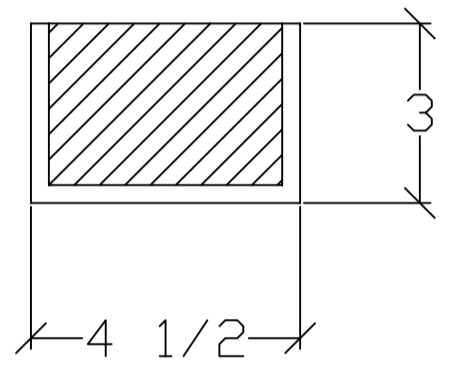
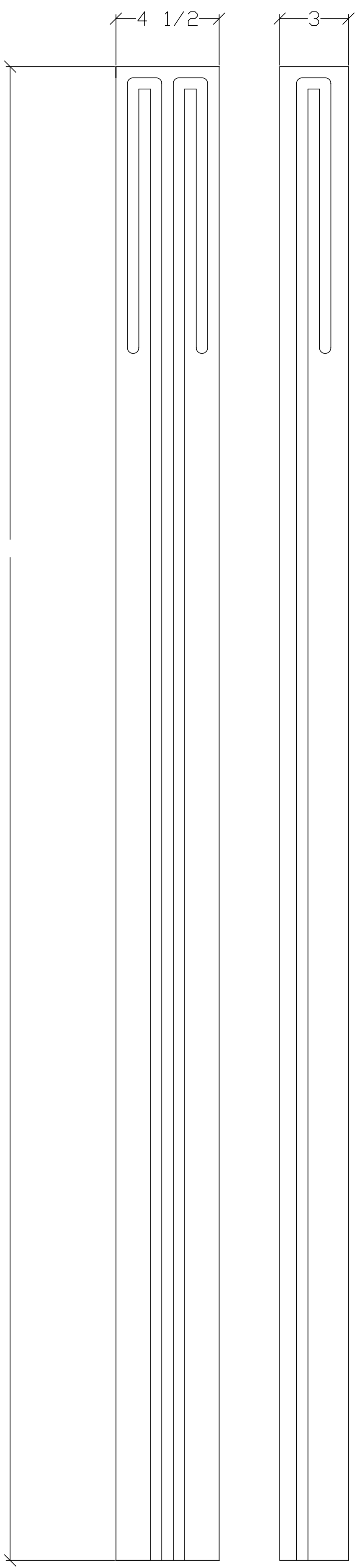


91



PRODUCT CODE: PLS-FM2

