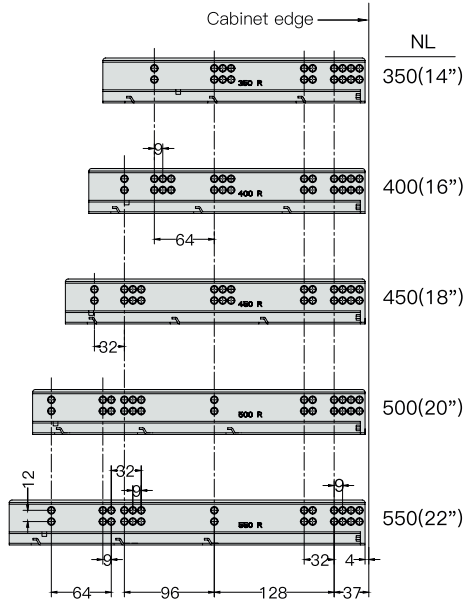
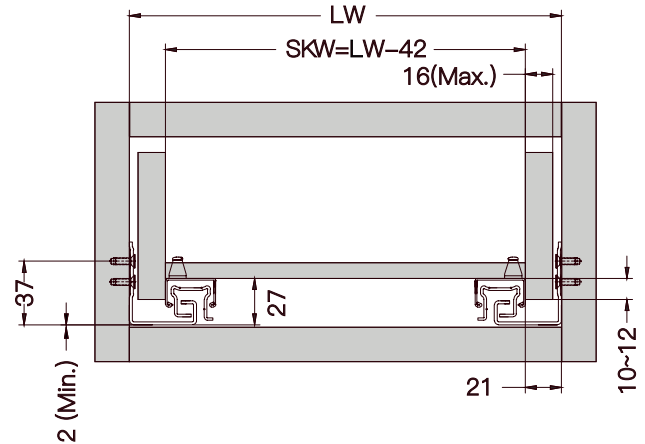


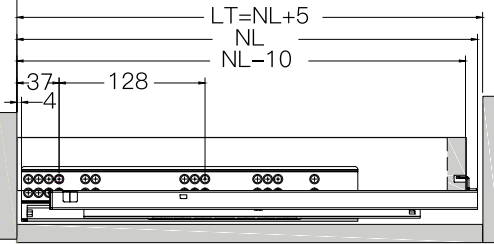
INSTALLATION DES COULISSES SLIDE INSTALLATION



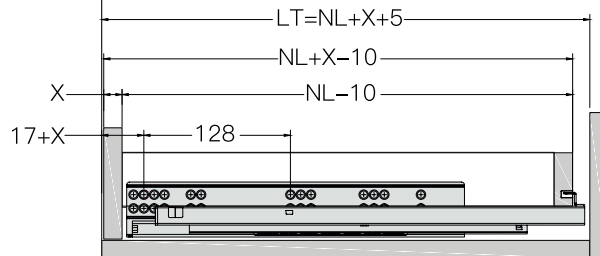
DIMENSIONS DU TIROIR DRAWER DIMENSION



Chant avant du caisson / Front edge

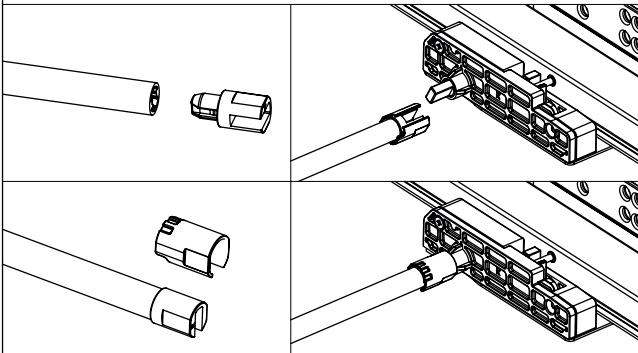


Chant avant du caisson / Front edge

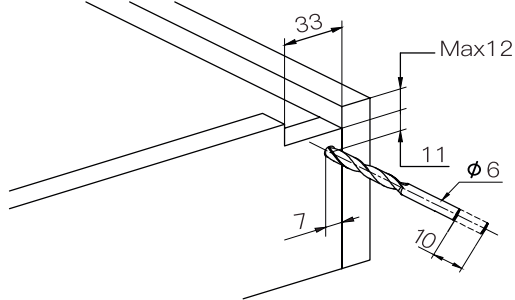


INSTALLATION SYNCHRONISATION SYNCHRONISATION INSTALLATION

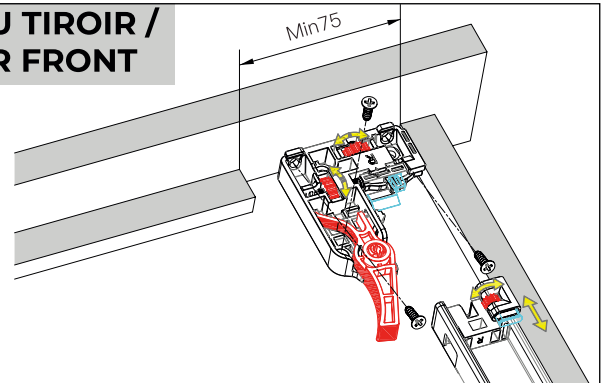
Longueur / Length = LW - 194



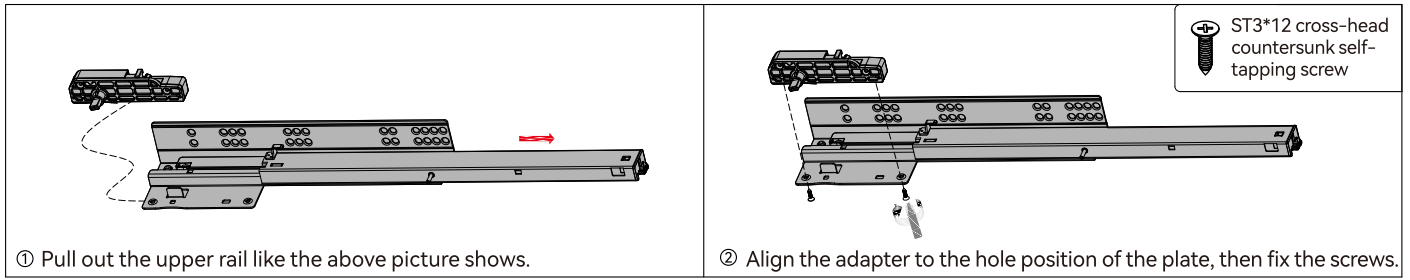
DOS DU TIROIR / DRAWER BACK



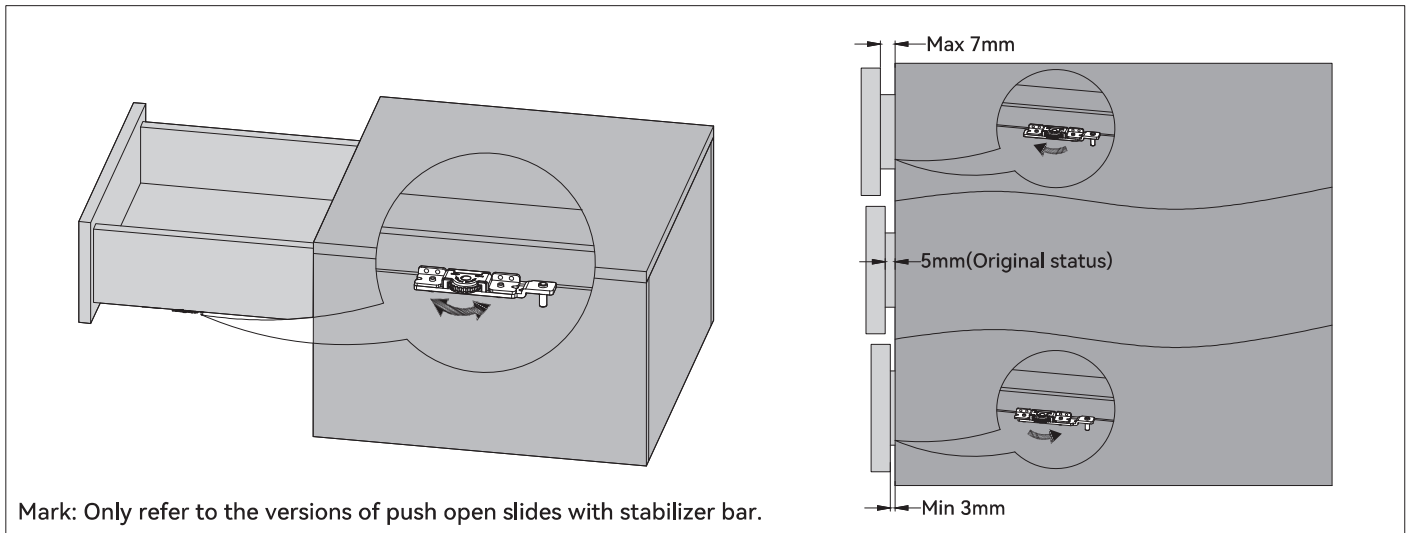
AVANT DU TIROIR / DRAWER FRONT



Installation of two adapters for stabilizer bar



Drawer depth adjustment(±2mm)



Suggested touching range (for undermounted slide with stabilizer bar)

