

ROCHELEAU



Novelties
2nd quarter 2023

TABLE OF CONTENTS



CARBON

04-05



PIN WALL STORAGE SYSTEM

06-07



PULL-OUTS

08-09



WASTE MANAGEMENT

10-11



WASTE MANAGEMENT SUMMARY

12



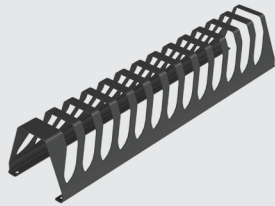
2022 & 2023 VIEFE COLLECTIONS

13





PRACTICAL HOLDERS



14



THE LITTLE HELPFULS

15



GLUE

16-17



THE MUST-HAVES

18-19

CARBON



PRODUCT DESCRIPTION

Carbon panels and laminates represent an innovative solution that can be used in residential, commercial, institutional, and medical areas. A distinctive surface treatment on Carbons decorative layer gives a silky and smooth tactile user experience. Its high resistance to micro-scratches and abrasion helps avoiding surface distortions and gives a lasting impression.

ADVANTAGES AND BENEFITS

In the event of a light scratch, the surface can be cleaned with a soft cloth to get it back to its original form. Carbon is extremely matt and near to zero gloss with intensive light absorbance and homogeneous color dispersion. Its antibacterial and antimicrobial surface, durability and ease of maintenance also make it an ideal material for environments requiring frequent cleaning and sanitation.



TECHNICAL SPECIFICATIONS

- › Material: HPL
- › Width: Compact: 1300 mm (51 ¼")
MDF Panel: 1220 mm (48")
Laminate: 1300 mm (51 ¼")
- › Length: Compact: 3050 mm (120 1/16")
MDF panel: 2800 mm (110")
Laminate: 3050 mm (120 1/16")
- › Thickness: Compact: 12 mm (1/2")
MDF panel: 19 mm (¾")
Laminate: 0.8 mm (1/32")
- › High durability
- › Antibacterial and antimicrobial
- › Easy maintenance and cleaning
- › Reparable surface for micro-scratches
- › Antistatic
- › High heat resistance
- › Humidity and water resistant
- › Anti fingerprints
- › Minimal light reflection
- › Eco-friendly: FSC certified

PRODUCT CODES

DESCRIPTION	CODE
Compact panel 12 mm	COM-CRB81...
MDF panel 19 mm	PAN-CRB81...
Laminate 0,8 mm	STR-CRB81...
Edgebanding 1 mm	BAN-CRB81...

WALL STORAGE SYSTEM

PIN



BOTTLE SUPPORT



KNIFE SUPPORT



PRODUCT DESCRIPTION

PIN is an innovative and revolutionary display storage system that allows the most flexible and creative arrangement of bottles, knives, shelves, items of clothing and accessories. The elegant, design-oriented and highly refined Pin has streamlined aesthetics and easy, quick and intuitive assembly.

ADVANTAGES AND BENEFITS

Featuring a non-slip coating, the PIN brackets can be moved easily and positioned anywhere with an ingenious fixing system that is extremely strong and stable.

TECHNICAL SPECIFICATIONS

BOTTLE SUPPORT

- › Length: 102,7 mm (4 1/16 in)
- › Diameter: 18,8 mm (3/4 in)
- › Load capacity : 3,5 kg per pair
- › Finish : aluminum and titanium

KNIFE SUPPORT

- › Length: 50,7 mm (2 in)
- › Diameter: 18,8 mm (3/4 in)
- › Load capacity : 15 kg per pair
- › Finish : aluminum and titanium

SHELF SUPPORT

- › Length: 140 mm (5 1/2 in)
- › Diameter: 15 mm (9/16 in)
- › Load capacity : 7,5 kg per pair
- › Finish : aluminum and titanium
- › Maximum shelf depth: 160 mm (6 5/16 in)

CLOTHES AND ACCESSORIES SUPPORT

- › Length: 50.7 mm (2 in)
- › Diameter: 18.8 mm (3/4 in)
- › Load capacity : 10 kg
- › Finish : aluminum and titanium

PRODUCT CODES

DESCRIPTION	CODE
Bottle support	SUP-SPW...
Knife support	SUP-SPK...
Shelf support	SUP-SPS...
Clothes/accessories support	SUP-SPH...
PIN 3 m profilé	PRO-SPP...



PULL-OUT SYSTEMS

SIGE 2 & 3 BASKETS PULL-OUTS

PRODUCT DESCRIPTION

The Sige pull-outs match many of our other kitchen planning solutions, whether in anthracite gray or white finish. Their different sliding formats allow ingenious storage of the various kitchen items and food products and thus clear the counter.

ADVANTAGES AND BENEFITS

Sige narrow pull-outs are available in 2 colors, either anthracite or white. Whether for the 2-bin or 3-bin model, 2 different widths are available: 6" (150 mm) or 8" (200 mm).

TECHNICAL SPECIFICATIONS

2 BASKETS:

- › Slide extension type: Full
- › Closing type: Soft-close
- › Load capacity: 10 kg (22 lb)
- › Minimum interior height: 520 mm (20 7/16")
- › Minimum interior width: 110 mm (4 3/8") / 160 mm (6 1/4")
- › Minimum interior depth: 500 mm (19 11/16")
- › Painted metal structure



3 BASKETS:

- › Slide extension type: Full
- › Closing type: Soft-close
- › Load capacity: 10 kg (22 lb)
- › Minimum interior height: 710 mm (28")
- › Minimum interior width: 110 mm (4 3/8") / 160 mm (6 1/4")
- › Minimum interior depth: 500 mm (19 11/16")
- › Painted metal structure



PRODUCT CODES

DESCRIPTION	CODE
Narrow pull-out 2 baskets 6"	RAN-S002P150...
Narrow pull-out 2 baskets 8"	RAN-S002P200...
Narrow pull-out 3 baskets 6"	RAN-S249P150...
Narrow pull-out 3 baskets 8"	RAN-S249P200...

SIGE MULTI-PURPOSE FRAME

PRODUCT DESCRIPTION

Sige's multi-purpose frame has interesting features on several levels. Its installation is very easy, being simply fixed to the bottom of a drawer and to a facade. The fact of being fixed inside a drawer brings a very appreciable element of uniformity in the room. It offers multiple customizable storage solutions and its sturdy design is sure to make it a must in your kitchen.

ADVANTAGES AND BENEFITS

Versatile, it can be fixed on many types of drawers, including the Nova Pro Scala from Grass. It is offered in 2 popular colors, white and anthracite. The different baskets can be put in the dishwasher without risk of deformation.

TECHNICAL SPECIFICATIONS

- › Fixation: at the bottom of the drawer
- › Height: 615 mm (24 1/4")
- › Width: 225 mm (8 13/16")
- › Depth: 465 mm (18 3/8")
- › Minimal interior cabinet height: 700 mm (27 1/2")
- › Minimal interior cabinet width: 300 mm (11 13/16")
- › Minimal interior cabinet depth: 500 mm (19 5/8")
- › Painted metal structure

PRODUCT CODES

DESCRIPTION	CODE
White multi-purpose frame	RAN-S094CB
Anthracite multi-purpose frame	RAN-S094CA



WASTE MANAGEMENT

1-TO-5 SQ WASTE BINS



PRODUCT DESCRIPTION

Signe recycling centers meet the growing need for the management of recyclable materials, waste, and compostable materials. Closing is damped and silent. Compatible with the Nova Pro Scala drawer by Grass, it is mounted on the front, allowing complete and automatic opening of the system with the door.

ADVANTAGES AND BENEFITS

By using a metal drawer as a frame, these waste bins can result in a nice uniformity with the rest of the drawers in the kitchen.

TECHNICAL SPECIFICATIONS

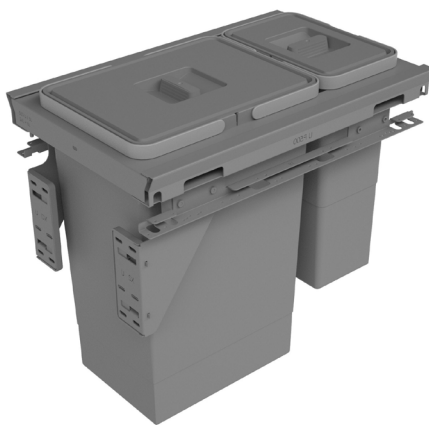
DESCRIPTION	MINIMUM HEIGHT	MINIMUM WIDTH	MINIMUM DEPTH
SQ recycling center 35 L bin	555 mm (21 13/16")	360 mm (14 3/16") à 368 mm (14 1/2")	510 mm (20 1/16")
SQ recycling center 32 L & 8 L bins	610 mm (24")	360 mm (14 3/16") à 368 mm (14 1/2")	510 mm (20 1/16")
SQ recycling center 2 x 32 L bins	610 mm (24")	410 mm (16 3/16") à 418 mm (16 7/16")	510 mm (20 1/16")
SQ recycling center 2 x 35 L bins	555 mm (21 13/16")	560 mm (22 1/16") à 568 mm (22 3/8")	510 mm (20 1/16")

PRODUCT CODES

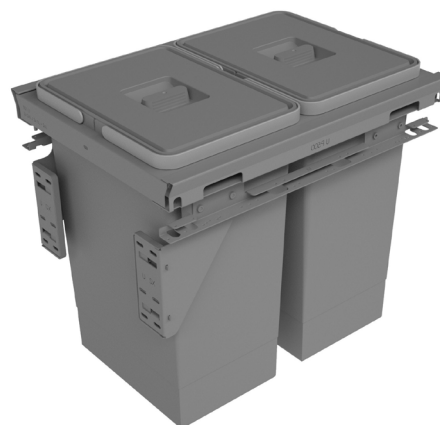
DESCRIPTION	CODE
SQ recycling center 35 L bin	POU-SQ550U1
SQ recycling center 32 L & 8 L bins	POU-SQ550U2
SQ recycling center 2 x 32 L bins	POU-SQ551U2
SQ recycling center 2 x 35 L bins	POU-SQ553U2



SQ RECYCLING CENTER 35 L BIN



SQ RECYCLING CENTER 32 L & 8 L BINS



SQ RECYCLING CENTER 2 X 32 L BINS



WASTE MANAGEMENT SUMMARY



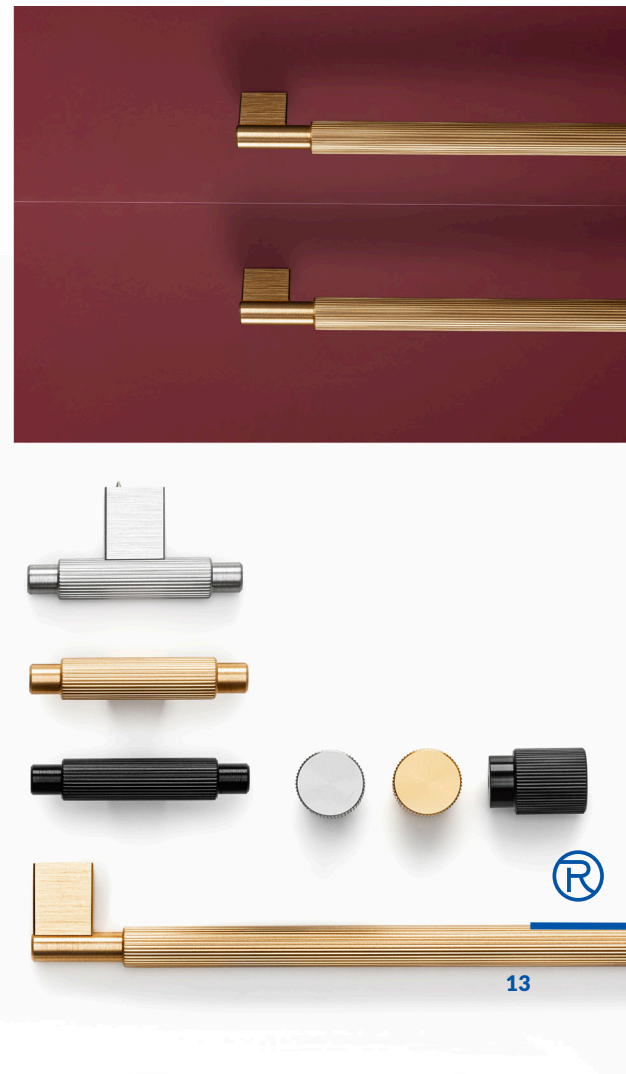
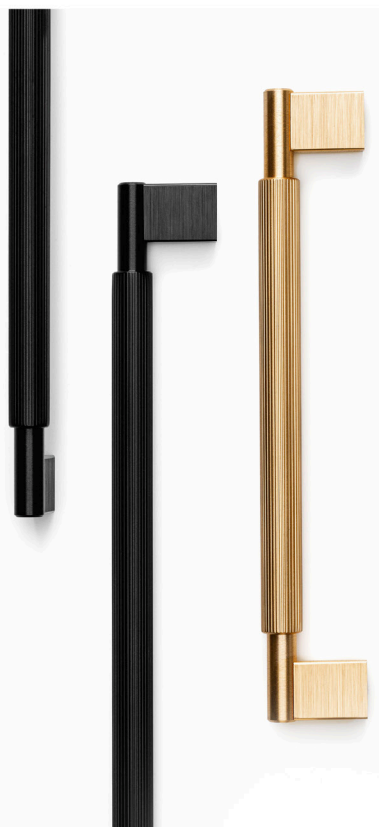
RANGE	CODE	NOMINAL WIDTH	WIDTH INT.	INT. HEIGHT (MIN)	INT. DEPTH (MIN)	CAPACITY	MOUNTING
MaxBin	POU-MX122460	12"	10 5/16" to 11"	18 1/8"	20 1/2"	2x 13L	Lateral
MaxBin	POU-MX122540	12"	10 5/16" to 11"	21 1/4"	20 1/2"	2x 15L	Lateral
MaxBin	POU-MX122620	12"	10 5/16" to 11"	24 3/8"	20 1/2"	2x 16L	Lateral
Rocheleau WRB	POU-WRB300	12"	9 1/4" or 10"	23 13/16"	18 5/8"	35L	Bottom
Vibo Globle	POU-V30-G	12"	10 3/8" or 10 7/8"	20 11/16"	18 3/8"	36L	Lateral
Vibo Kombi	POU-SV12-215-G	15"	12"	15 1/16"	19 5/8"	2x 15L	Bottom
Vibo Kombi	POU-SV12-133-G	15"	12"	19 1/2"	19 5/8"	33L	Bottom
Rocheleau DB	POU-DB20BS	16"	13 1/2"	17"	19 3/8"	2x 20L	Bottom
Rocheleau DB	POU-DB20CS	16"	13 1/2"	17"	19 3/8"	2x 20L	Bottom
Rocheleau WRB	POU-WRB400	16"	12 5/8" or 13 5/8"	23 13/16"	18 5/8"	2x 27L	Bottom
SIGE Quadrifoglio	POU-SQ550U1	16"	14 3/16" to 14 1/2"	21 13/16"	20 1/16"	35L	Lateral with drawer
SIGE Quadrifoglio	POU-SQ550U2	16"	14 3/16" to 14 1/2"	24"	20 1/16"	32L + 8L	Lateral with drawer
MaxBin	POU-MX182460	18"	16 3/16" to 16 15/16"	18 1/8"	20 1/2"	2x 28L	Lateral
MaxBin	POU-MX183460	18"	16 3/16" to 16 15/16"	18 1/8"	20 1/2"	2x 13L + 28L	Lateral
MaxBin	POU-MX182540	18"	16 3/16" to 16 15/16"	21 1/4"	20 1/2"	2x 33L	Lateral
MaxBin	POU-MX183540	18"	16 3/16" to 16 15/16"	21 1/4"	20 1/2"	2x 15L + 33L	Lateral
MaxBin	POU-MX182620	18"	16 3/16" to 16 15/16"	24 3/8"	20 1/2"	2x 37L	Lateral
MaxBin	POU-MX183620	18"	16 3/16" to 16 15/16"	24 3/8"	20 1/2"	2x 16L + 37L	Lateral
Rocheleau WRB	POU-WRB450	18"	15" or 15 5/8"	23 13/16"	18 5/8"	2x 35L	Bottom
SIGE Quadrifoglio	POU-SQ551U2	18"	16 3/16" to 16 7/16"	24"	20 1/16"	2x 32L	Lateral with drawer
Vibo Globle	POU-V45-2-G	18"	16 1/4" or 16 3/4"	18 3/4"	18 3/8"	2x 30L	Lateral
Vibo Globle	POU-V45-3-G	18"	16 1/4" or 16 3/4"	18 3/4"	18 3/8"	30L + 10L + 9L	Lateral
Vibo Kombi	POU-SV15-230-G	18"	15"	19 1/2"	19 5/8"	2x 30L	Lateral or bottom
Vibo Kombi	POU-SV15-250-G	18"	15"	24 1/16"	22"	2x 50L	Bottom
Vibo Kombi	POU-SV18-230-G	21"	18"	19 1/2"	19 5/8"	2x 30L	Lateral or bottom
MaxBin	POU-MX244460	24"	22 1/8" to 22 15/16"	18 1/8"	20 1/2"	2x 13L + 2x 24L	Lateral
MaxBin	POU-MX244540	24"	22 1/8" to 22 15/16"	21 1/4"	20 1/2"	2x 15L + 2x 27L	Lateral
MaxBin	POU-MX244620	24"	22 1/8" to 22 15/16"	24 3/8"	20 1/2"	2x 16L + 2x 31L	Lateral
SIGE Quadrifoglio	POU-SQ553U2	24"	22 1/16" to 22 3/8"	21 13/16"	20 1/16"	2x 35L	Lateral with drawer
Vibo Globle	POU-V60-2-G	24"	22 1/4" or 22 3/4"	20 11/16"	18 3/8"	2x 36L	Lateral
Vibo Globle	POU-V60-4-G	24"	22 1/4" or 22 3/4"	20 11/16"	18 3/8"	2x20L + 10L + 9L	Lateral
Vibo Kombi	POU-SV21-233-G	24"	21"	19 1/2"	19 5/8"	2x 33L	Lateral or bottom



DECORATIVE HARDWARE

DECO 23 & VIEFE 23

Representing the culmination of 2 years of creativity, the 2022 and 2023 Viefe collections send you in a new era regarding design, new finishes, new materials and new product lines. They are defined by contrasts and they are the essence of the new collections which transmits informality, class and resounding simplicity. Sophisticated and practical, eclectic by nature, these exceptional products completely transform the usual user experience.



PRACTICAL HOLDERS

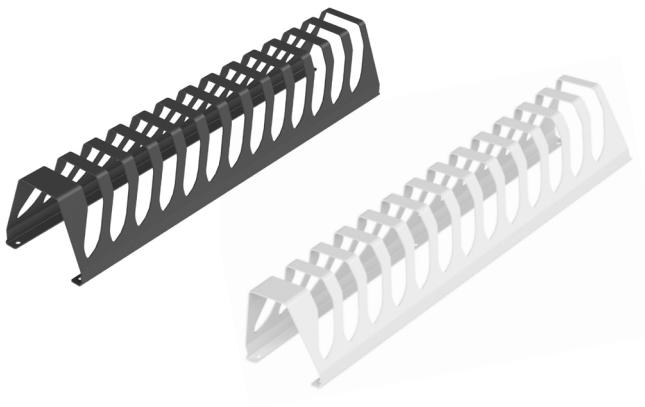
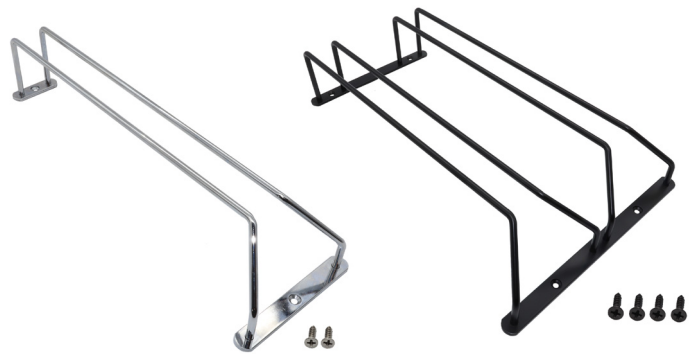
GLASS HOLDER

TECHNICAL SPECIFICATIONS

- › Width : 107 mm (single) / 216 mm (double)
- › Height: 63 mm
- › Depth: 340 mm

PRODUCT CODES

DESCRIPTION	CODE
Double row glass holder, chrome	SUP-9A14C
Double row glass holder, black	SUP-9A14N
Single row glass holder, chrome	SUP-9A13C
Single row glass holder, black	SUP-9A13N



DISH HOLDER

TECHNICAL SPECIFICATIONS

- › Width: 100 mm (3 15/16")
- › Height: 90 mm (3 1/2")
- › Depth: 446 mm (17 1/2")

PRODUCT CODES

DESCRIPTION	CODE
Anthracite metal dish holder	DIV-S097PA
White metal dish holder	DIV-S097PB

THE LITTLE HELPFULS

UNIVERSAL DRAWER CLAMP

PRODUCT DESCRIPTION

This clamp works with any type of drawer.

PRODUCT CODE

DESCRIPTION	CODE
Grass universal drawer clamp	SRJ-GRASS



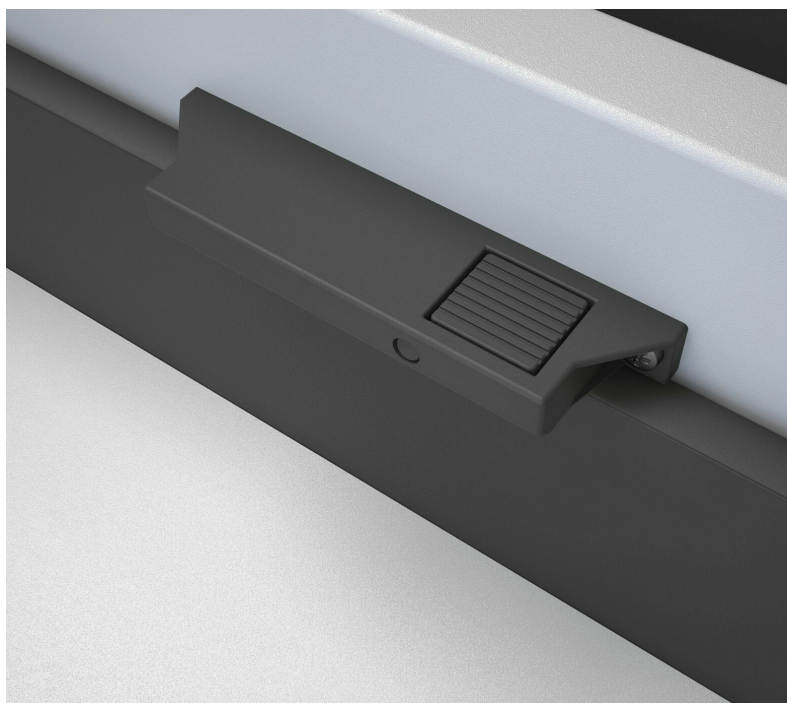
GRASS INSET DRAWER CATCH

PRODUCT DESCRIPTION

Simultaneous opening of the upper inset drawer when activating the front. Allows direct access to the first drawer. The fixing is removed by simple pressure. Suited for cabinets or pantries with several interior drawers covered by a single facade.

PRODUCT CODE

DESCRIPTION	CODE
Grass inset drawer catch	ENT-GRASS



GLUE/ SEALANT

SUBSTRATE BONDER

PRODUCT DESCRIPTION

Substrate Bonder SB100 is a rapid cure, two-component polyurethane adhesive for attaching substrates in countertop applications. It is designed to develop strong, highly flexible bonds between solid surfaces, engineered stone, granite, and the materials such as MDF, plywood, PVC, HPL, and ABS.

ADVANTAGES AND BENEFITS

Substrate Bonder SB100 greatly reduces assembly time, curing in as little as 15 minutes, and can be used in many applications that would normally require silicone. It is not UV stabilized and should not be used for applications exposed to sunlight, or where color stability is a factor.

PRODUCT CODE

DESCRIPTION	CODE
Substrat bonder SB100 200 ml	COL-SB100



INSTANT BOND

PRODUCT DESCRIPTION

MitreBond accelerator is an instant bonding low viscosity adhesive to give greater bond strength on porous surfaces. It comes in 3 forms: pen, tube, and spray accelerator.

ADVANTAGES AND BENEFITS

It can be applied to a wide variety of materials including MDF, timber, glass, ceramics, aluminium, chipboard, steel, porcelain, and some plastics.

PRODUCT CODES

DESCRIPTION	CONSTITUTION	CODE
Cyano instant bond	1 tube + 1 pen	COL-MPEN
	3 tubes + 1 accelerator	COL-MBOND
Cyano instant bond accelerator	1 spray	COL-MACTIVE





SURFACE SEALANT & ADHESIVE

PRODUCT DESCRIPTION

TopSeal is a premium performance MS Polymer that can be used as an assembly adhesive, surface sealant and to make joints. It's excellent bond strength gives instant grip without support.

ADVANTAGES AND BENEFITS

TopSeal can be used on a wide range of surfaces, like quartz, granite, compact ceramic, and porcelain. It is color-matched to the worktop to give a seamless finish. It also provides a tough, continuous seam without grooves which is easy to clean and will not wear away like silicone. By its nature it is less likely to harbor viral contamination. It is ecofriendly, containing no solvents.

PRODUCT CODES

COLOUR	CODE
Black	COL-TS290010
Newport Grey	COL-TS290114
Iron Grey	COL-TS290017
Bright White	COL-TS290001



SEALANT / LAMINATE REPAIR

PRODUCT DESCRIPTION

ColorFill is a sealant specifically designed for the installation of mitered laminate worktop joints. It bonds the joint together and is also exactly colour-matched to the worktop, making the finished joint almost invisible. It will also repair chips and scratches on laminate and melamine surfaces.

ADVANTAGES AND BENEFITS

ColorFill has been formulated to resist moisture, detergent and other household products as efficiently as the laminate and will withstand heat and direct sunlight. It requires no mixing and is easy to apply in handy tubes.

PRODUCT CODES

COLOUR	CODE
Fog	COL-CF040
Black Granite	COL-CF145
Dark Grey	COL-CF439
Cool Palette	COL-CF027

THE MUST-HAVES

GLOBE V45 WASTE BINS

PRODUCT CODES

DESCRIPTION	CODE
Globe waste bin 2 x 30L	POU-V45-2-G
Globe waste bin 1 x 30L, 1 x 10L, 1 x 9L	POU-V45-3-G

**FOR
15 UNITS
\$199 EACH**



EURO SCREWS

PRODUCT CODES

DESCRIPTION	CODE
Euro screw 6.3-10 mm, head diameter 8 mm, Pozidriv	VIS-EURO810
Euro screw 6.3-10 mm, head diameter 7 mm, Pozidriv	VIS-EURO710
Euro screw 6.3-13 mm, diameter 8 mm, Pozidriv	VIS-EURO813
Euro screw 6.3-13 mm, head diameter 7 mm, Pozidriv	VIS-EURO713
Euro screw 6.5-11,5 mm, diameter 8 mm, Recex #2 drive	VIS-EURO8115R
Euro screw 6.5-13 mm, diameter 8 mm, Recex #2 drive	VIS-EURO813R



**STARTING
AT
\$11.47 / 1 000
SCREWS**



SCREW COVERS

PRODUCT CODES

DESCRIPTION	CODE
Textured Anthracite	CAV-ADHV56
White	CAV-ADHV19
Textured White	CAV-ADHV02
Textured Grey	CAV-ADHV102
Maple Finish	CAV-ADHV04
Walnut Finish	CAV-ADHV03
Textured Black	CAV-ADHV01



S32 & S32P SLIDES

PRODUCT CODES

DESCRIPTION	CODE
S32 Series undermount slide Soft-Close	COU-S32...
S32 Series undermount slide Push to open	COU-S32P...
S32P slides synchronization rod	SYN-BARS32P



LEVELLERS

PRODUCT CODES

DESCRIPTION	CODE
Foldable cabinet leveller, screw-on	NIV-MT180V
Foldable cabinet leveller, 8 mm dowels	NIV-MT180G

STARTING AT
\$1.55
PER UNIT



PRODUCT CODES

DESCRIPTION	CODE
Adjustable cabinet leveller 100-200 mm	PAT-53010R...
Cabinet leveller base	BAS...

STARTING AT
\$0.67
PER SET





ROCHELEAU INC.

760, boul. Pierre-Roux E.
Victoriaville (Québec) G6T 1S6 CANADA

T 1-800-567-5201
@ sales@rocheleau.ca

ROCHELEAU.CA